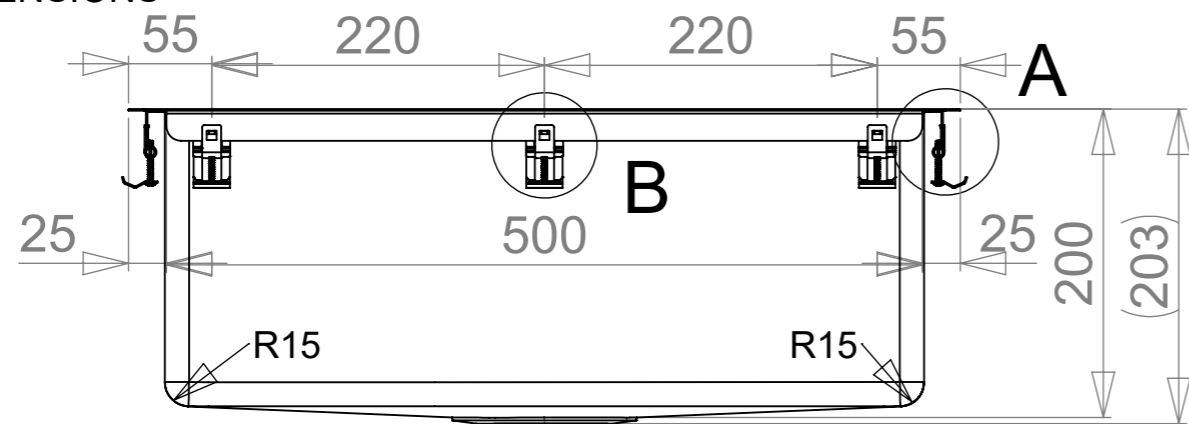


MAIN DIMENSIONS

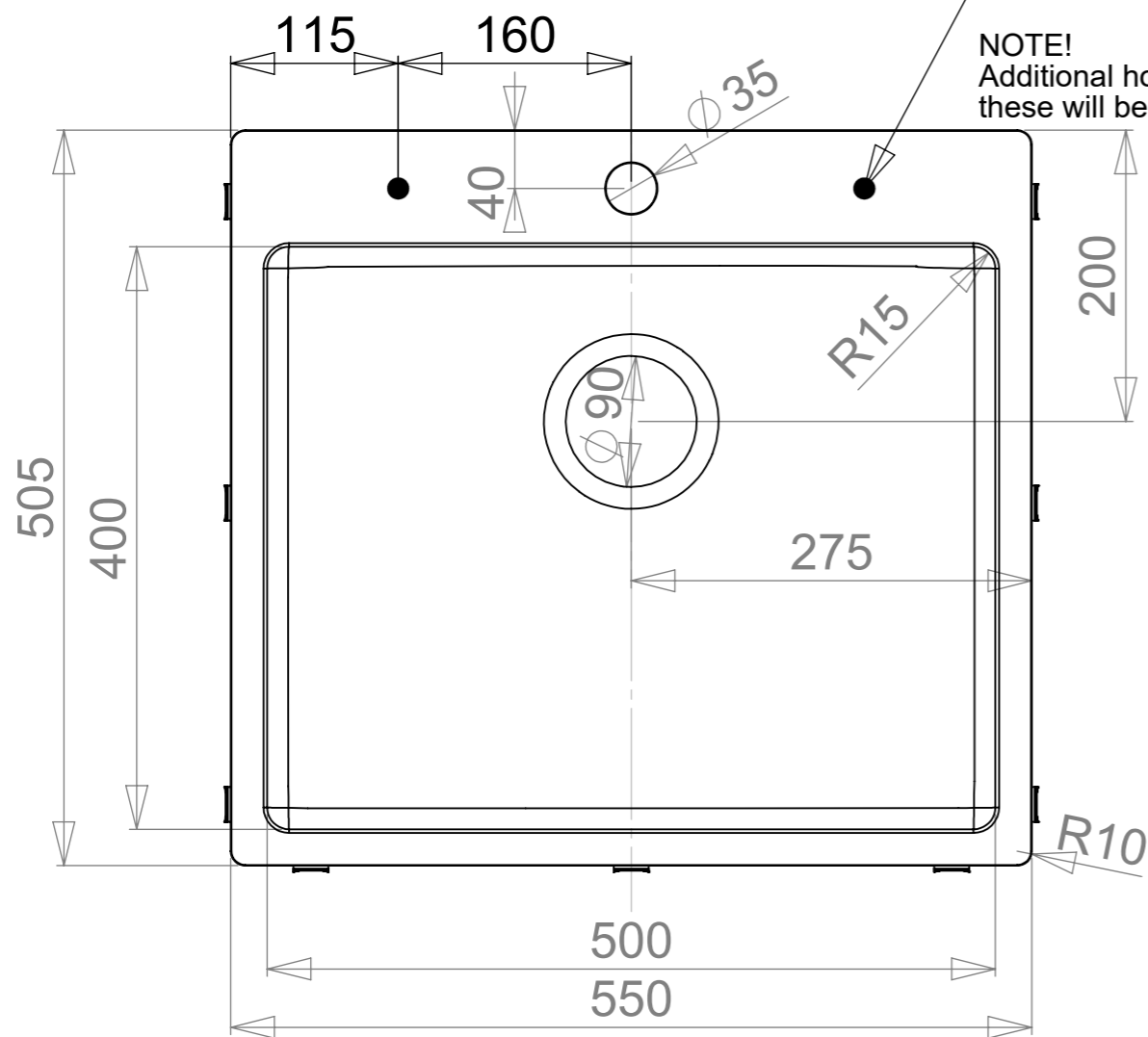
Change description
Fixing rails changed ->20mm

Date
17.12.2019
Designed by
VS

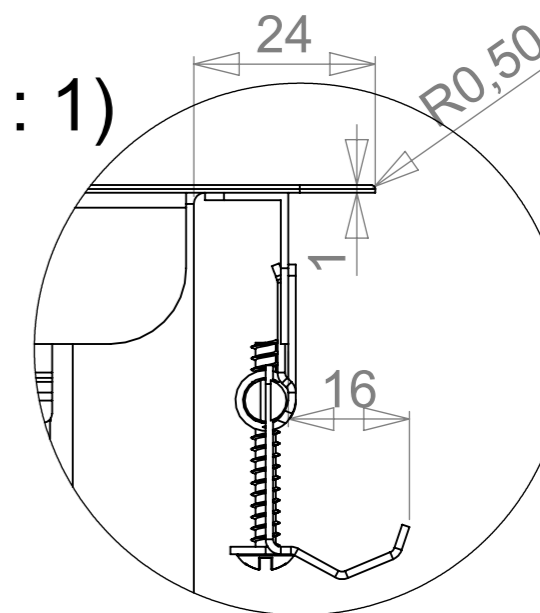


Place for additional holes in tap support. maximum $\varnothing 35$ mm.

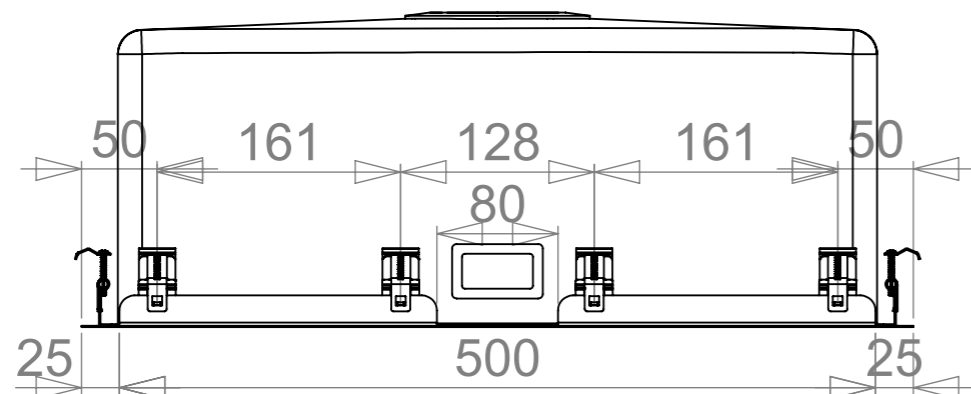
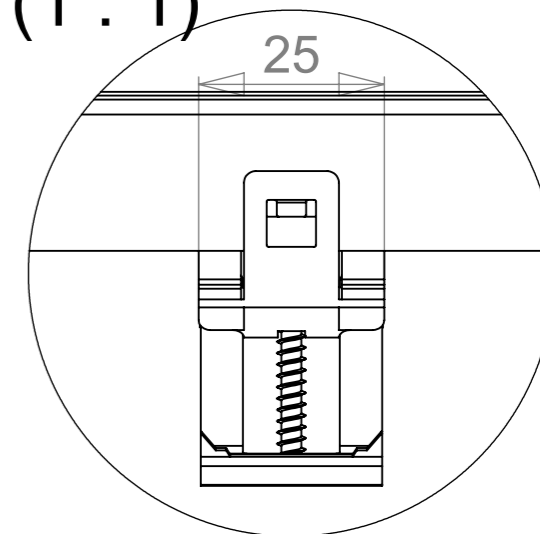
NOTE!
Additional holes are not made by manufacturer,
these will be made e.g. by the plumber!



A (1 : 1)



B (1 : 1)



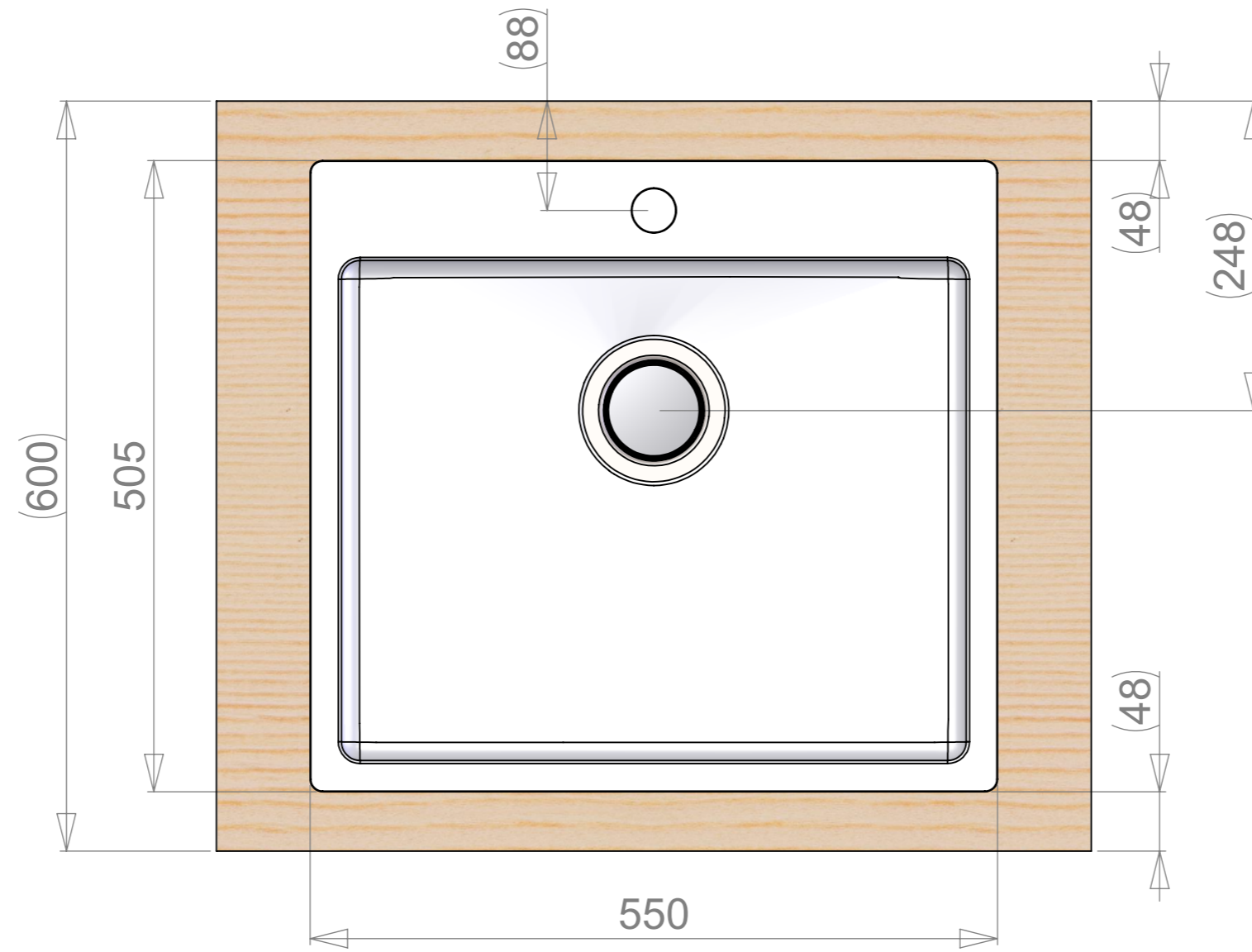
	Mass	26.17 kg	General tolerance	Designed by	Date
	Size	A3	Scale	VS	05.02.2019
 www.stala.com	Item		Item	Checked by	Date
	Description	LAGOM-T50	Description	Drawing number	Sheet/sheets
	Technical Data Sheet	18182	18182	1/6	Rev
					B

Change description
Fixing rails changed ->20mm

Date
17.12.2019

Designed by
VS

WORKTOP ASSEMBLY

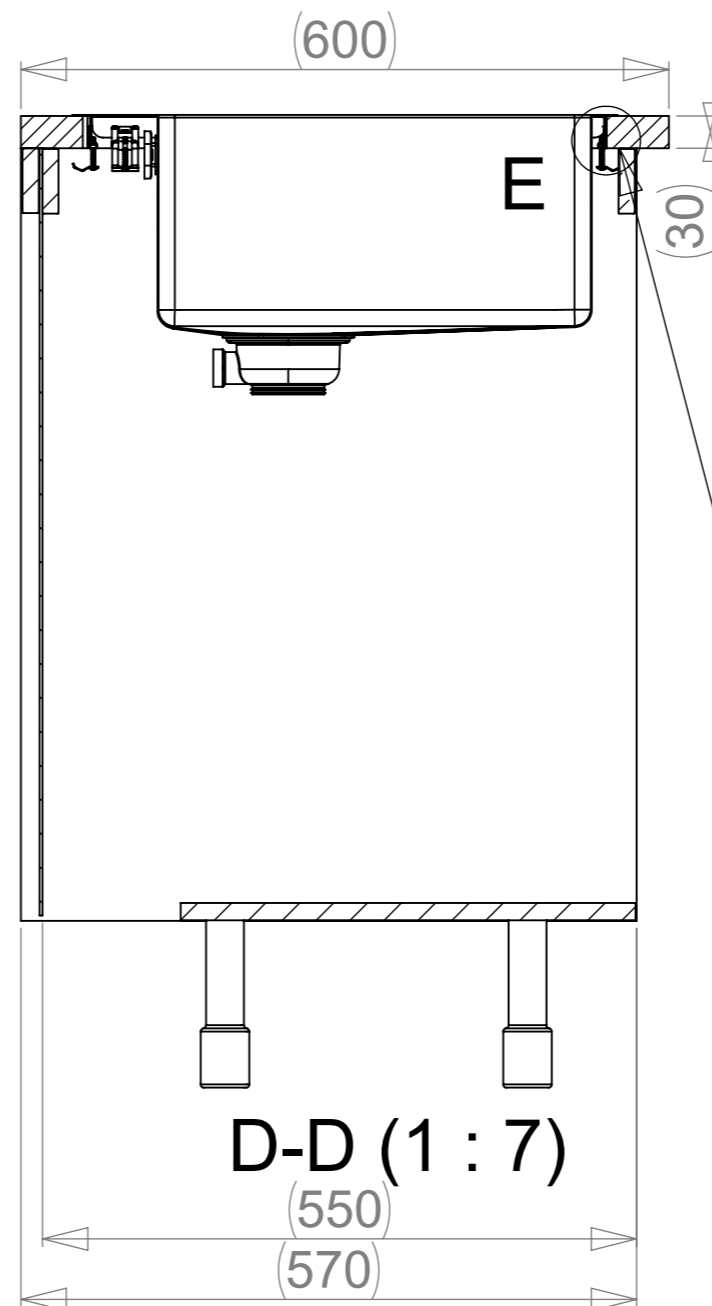
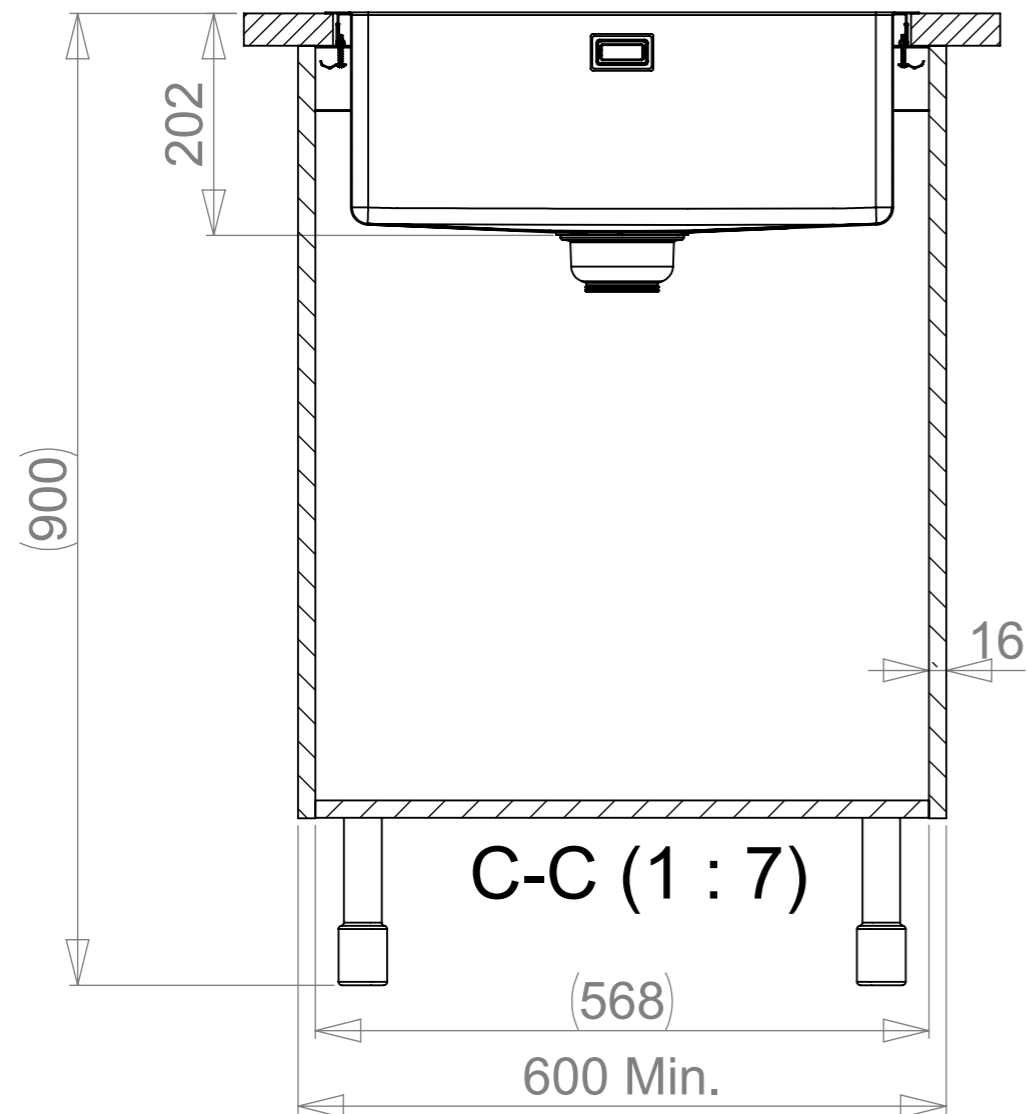


	Mass	26.17 kg	General tolerance	Designed by	Date
	Size	A3	Scale	VS	05.02.2019
 www.stala.com	Item	LAGOM-T50	Checked by	Date	
	Description	LAGOM-T50	Drawing number	Sheet/sheets	2/6
	Technical Data Sheet	18182	Rev	B	

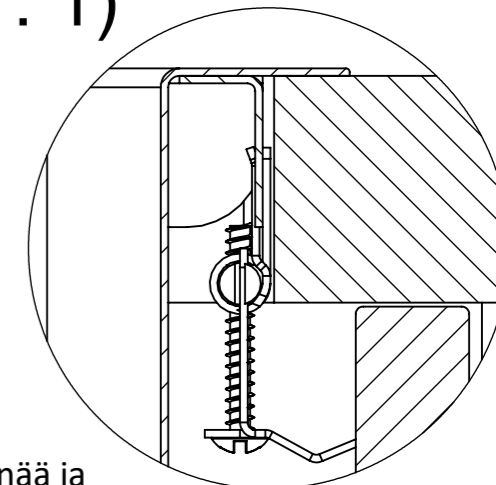
SPACE REQUIREMENTS

Change description
Fixing rails changed ->20mm

Date
17.12.2019
Designed by
VS



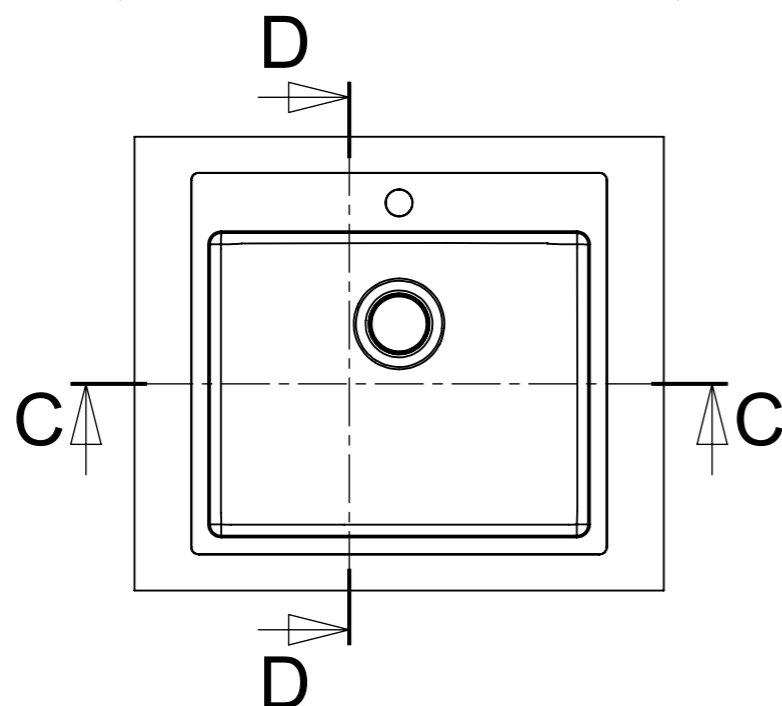
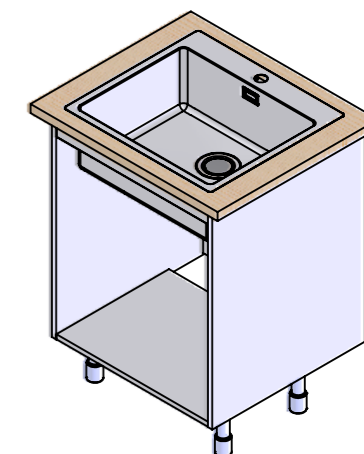
E (1 : 1)




Huom!
Tarvittaessa kaapin väliseinää ja etu/takalistaa lovetettava kiinnikkeitä varten ja pesuallas on kiinnitettävä ennen työtason asennusta.

Obs!
Vid behov måste en inskärning för hofästena göras i skåpets mellanvägg och förbindningslist och diskbänken måste fästas innan du monterar bänkskivan.

Notice!
The partition walls and front/back list of the cupboard must be notched for the sink mountings when needed and the sink must be fastened before installing the worktop.



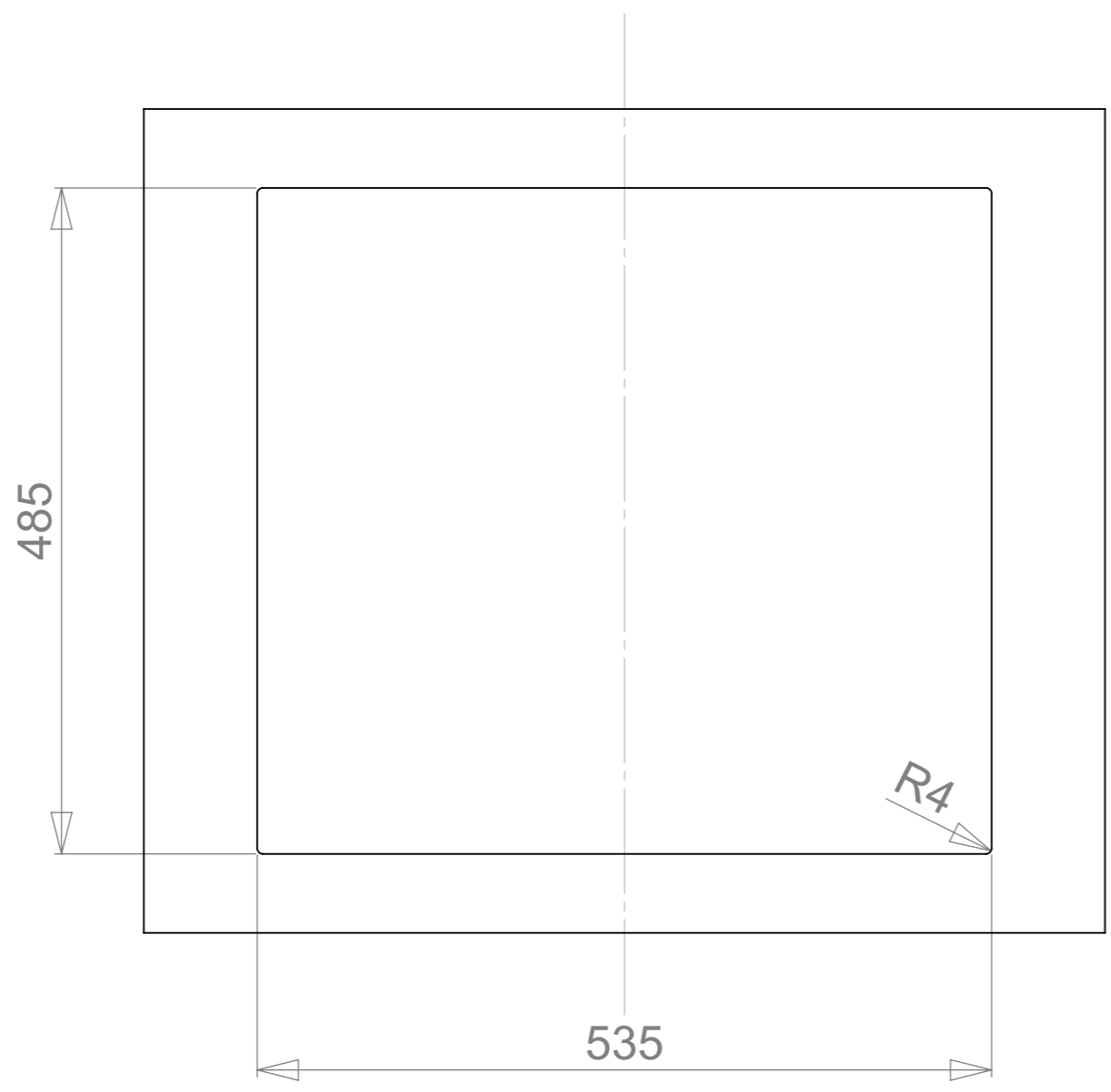
 www.stala.com	Mass 26.17 kg	General tolerance	Designed by VS	Date 05.02.2019
	Size A3	Scale 1:10	Item	Checked by
Description LAGOM-T50 Technical Data Sheet			Drawing number 18182	Sheet/sheets 3/6 Rev B

1 2 3 4 5 6 7 8

Change description
Fixing rails changed ->20mm



Date
17.12.2019
Designed by
VS

CUT-OUT



A
B
C
D
E
F

A
B
C
D
E
F

	Mass 26.17 kg	General tolerance	Designed by VS	Date 05.02.2019
	Size A3	Scale 1:5	Item	Date
 www.stala.com	Description LAGOM-T50 Technical Data Sheet		Drawing number 18182	Sheet/sheets 4/6
				Rev B

1 2 3 4 5 6 7 8

