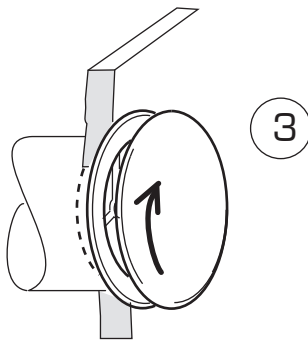
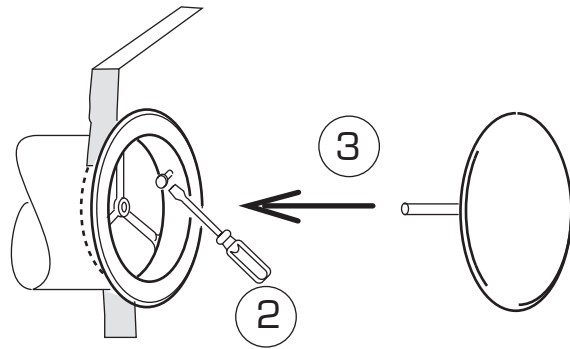
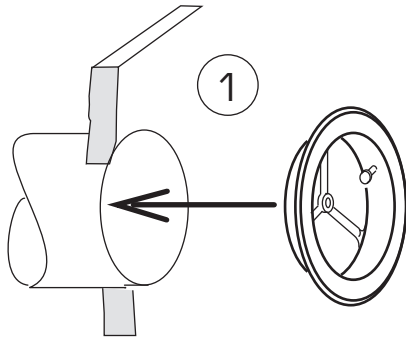
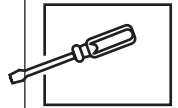


RK, RKT, RKPK

RK  
RKT  
RKPK



RK D	RKT D	RKPK D	ØD (mm)	Ød (mm)	H <sub>max</sub> (mm)
63	63	-	100	56-75	35
80	80	-	100	75-85	35
100	100	100	120	95-105	45
125	125	125	149	122-132	45
160	160	160	190	157-167	55
200	200	-	230	195-205	55
-	250	-	275	245-267	65
-	315	-	340	306-325	60

